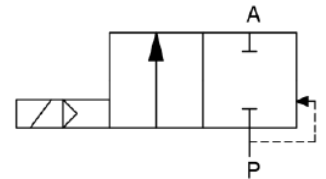
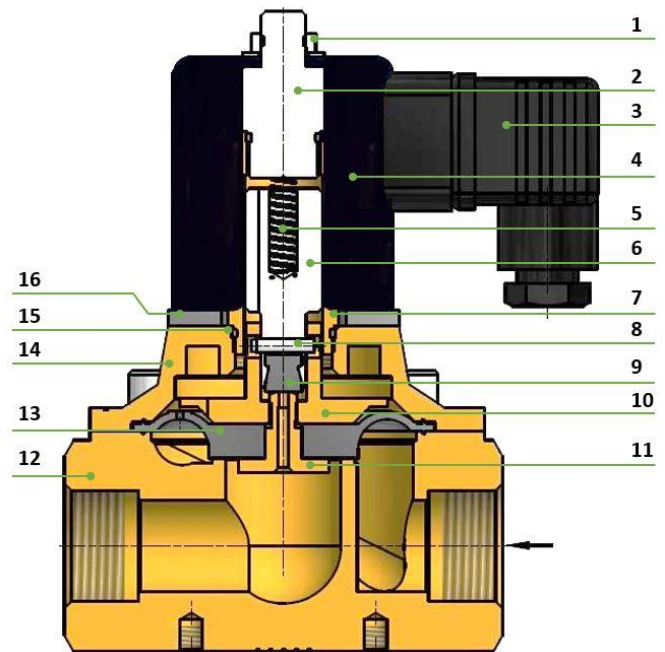


Normal position	NC
Housing	Brass (CW614N)
Ambient temperature	-10 °C to 50 °C
Medium temperature	-10 °C to 100 °C (FPM) -20 °C to 85 °C (NBR)
Mounting position	Solenoid preferably in upright position
Protection IP	IP 65 (with connector socket fitted)
Electrical connection	Connector socket, industrial standard type A – EN 175301-803-A
Voltage tolerance	± 10% acc. VDE 0580
Power	230V 50Hz: 20VA 110V AC: 17.6VA 24V DC: 20VA 24V AC: 18.5W 12V DC: 33W
Duty cycle	100% ED



### Materials

No.	Part	Material
1	Nut	Galvanised steel
2	Pole core	Stainless steel
3	Connector socket	Plastic
4	Solenoid	Powder coated steel
5	Spring	Stainless steel
6	Plunger	Stainless steel
7	Guide tube	Brass
8	Pin	Stainless steel
9	Sealing plug	FPM/NBR
10	Seat disc	Brass
11	Nozzle	Brass
12	Housing	Brass
13	Diaphragm	FPM/NBR
14	Flange	Brass
15	O-Ring	FPM/NBR
16	Sealing	NBR



**P 3-544 e**

## 2/2-way solenoid valves

combined operation  
professional standard series  
Art. No. 129402 to 129466

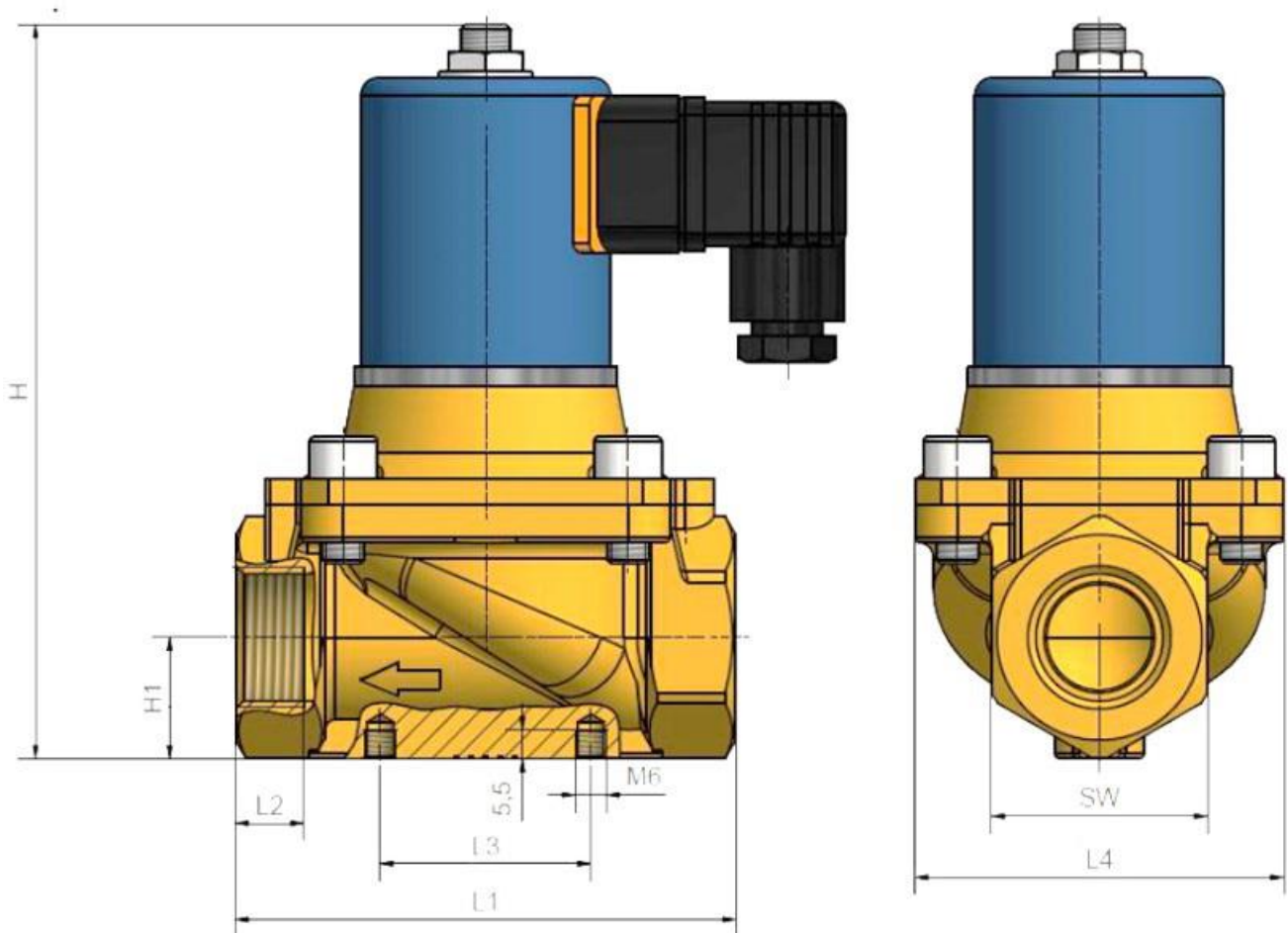


### Solenoid valve, normally closed, combined operation, alternating current

Art. No.	Type No.	Thread	DN	Voltage	Sealant	Operating pressure bar	Flow rate m <sup>3</sup> /h
129402	MVA.34.MS.230.F.RZ.20	G 3/4	20	230V AC	FPM	0 - 12	6.2
129416	MVA.34.MS.24A.F.RZ.20	G 3/4	20	24V AC	FPM	0 - 12	6.2
129423	MVA.34.MS.110.F.RZ.20	G 3/4	20	110V AC	FPM	0 - 12	6.2
129437	MVA.34.MS.230.N.RZ.20	G 3/4	20	230V AC	NBR	0 - 12	6.2
129451	MVA.34.MS.24A.N.RZ.20	G 3/4	20	24V AC	NBR	0 - 12	6.2
129458	MVA.34.MS.110.N.RZ.20	G 3/4	20	110V AC	NBR	0 - 12	6.2
129403	MVA.1.MS.230.F.RZ.25	G 1	25	230V AC	FPM	0 - 12	7.1
129417	MVA.1.MS.24A.F.RZ.25	G 1	25	24V AC	FPM	0 - 12	7.1
129424	MVA.1.MS.110.F.RZ.25	G 1	25	110V AC	FPM	0 - 12	7.1
129438	MVA.1.MS.230.N.RZ.25	G 1	25	230V AC	NBR	0 - 12	7.1
129452	MVA.1.MS.24A.N.RZ.25	G 1	25	24V AC	NBR	0 - 12	7.1
129459	MVA.1.MS.110.N.RZ.25	G 1	25	110V AC	NBR	0 - 12	7.1

### Solenoid valve, normally closed, combined operation, direct current

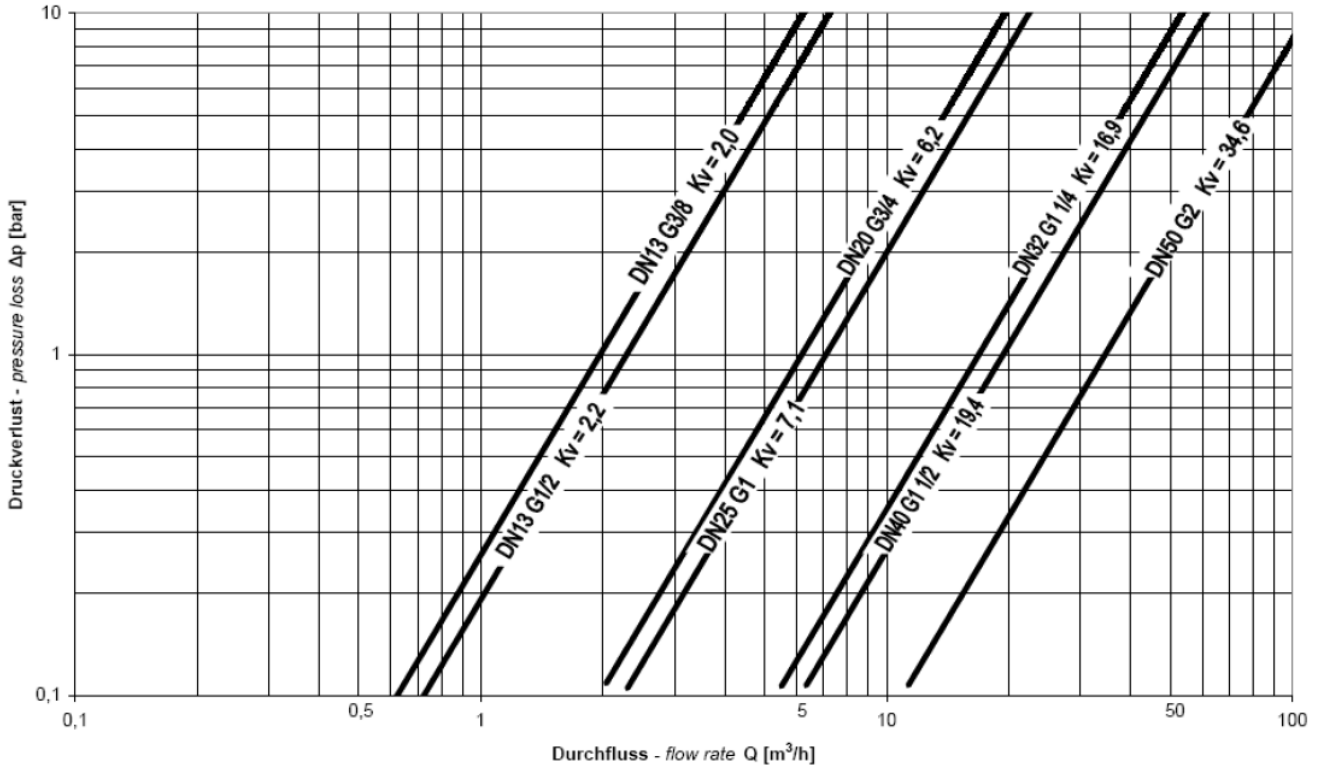
Art. No.	Type No.	Thread	DN	Voltage	Sealant	Operating pressure bar	Flow rate m <sup>3</sup> /h
129409	MVA.34.MS.24D.F.RZ.20	G 3/4	20	24V DC	FPM	0 - 12	6.2
129430	MVA.34.MS.12.F.RZ.20	G 3/4	20	12V DC	FPM	0 - 12	6.2
129444	MVA.34.MS.24D.N.RZ.20	G 3/4	20	24V DC	NBR	0 - 12	6.2
129465	MVA.34.MS.12.N.RZ.20	G 3/4	20	12V DC	NBR	0 - 12	6.2
129410	MVA.1.MS.24D.F.RZ.25	G 1	25	24V DC	FPM	0 - 12	7.1
129431	MVA.1.MS.12.F.RZ.25	G 1	25	12V DC	FPM	0 - 12	7.1
129445	MVA.1.MS.24D.N.RZ.25	G 1	25	24V DC	NBR	0 - 12	7.1
129466	MVA.1.MS.12.N.RZ.25	G 1	25	12V DC	NBR	0 - 12	7.1



### Dimensions

Thread	SW	H	H1	L1	L2	L3	L4
	mm	mm	mm	mm	mm	mm	mm
G 3/4	41	139.0	23.0	95.0	13.0	40.0	70.0
G 1	41	139.0	23.0	95.0	13.0	40.0	70.0

**Druckverlust,  $K_V$ -Werte:**  
 Pressure loss,  $K_V$ -value:



Umrechnung:  
 conversion:  $C_v = K_V / 0,865$